

1 2 3 4 5 6 7 8

A

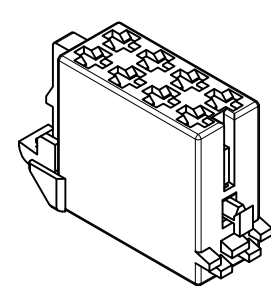
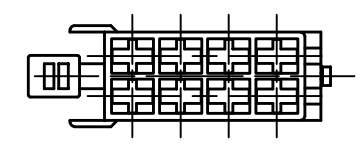
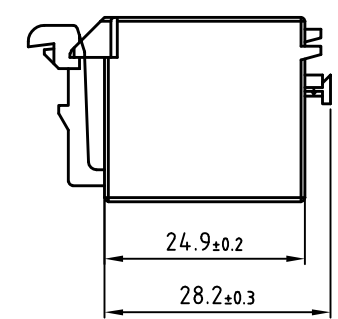
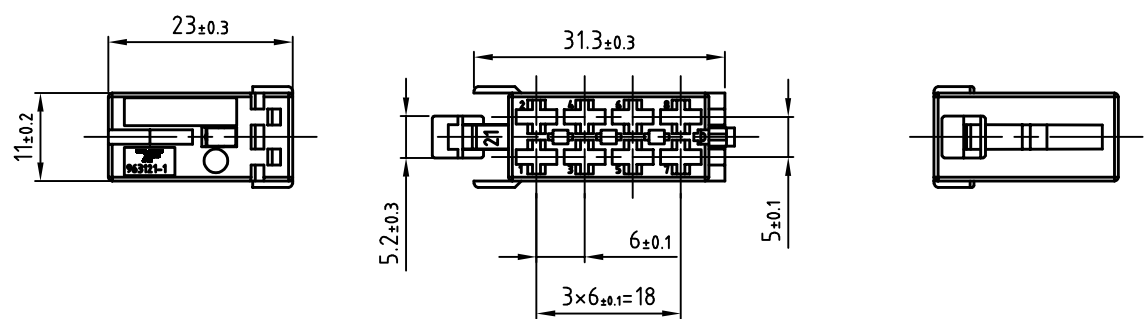
B

C

D



E

F



NOTES:

- 1.Rated current (maximum): 30A.
- 2.Working temperature range: -40℃ TO +125℃.
- 3.UL Flame resistance rating:UL-94 HB
- 4.Electrical characteristics:
Rated voltage configuration (V):12 | 24

 宁波翔洋电气有限公司 NINGBO XF ELECTRONIC CO.,LTD					Name		Connector	
					DrawingNo		XF7085A-2.8-21Br	
		Material		PBT				
Design	Yang	2026.3	Revision	01	Color	Brown		
Proofread	Yang	2026.3			Weight Kg			
Approval	Zhang	2026.3	Scale	1.5:1	 Pages			

1 2 3 4 5 6 7 8