

1 2 3 4 5 6 7 8

A

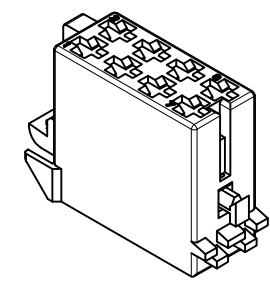
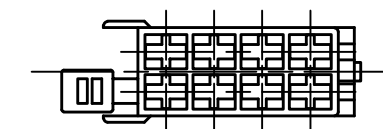
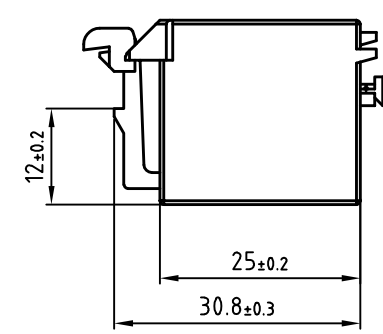
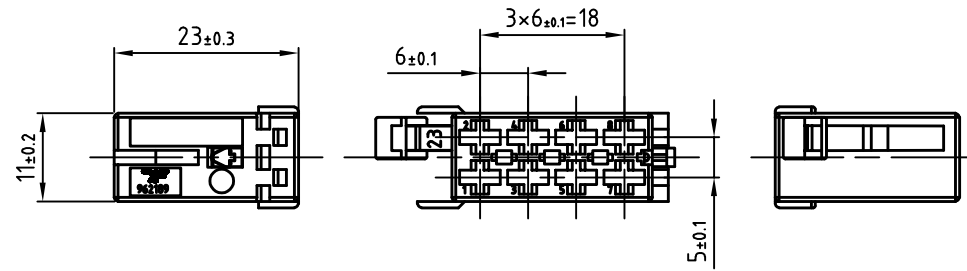
B

C

D


E

F



NOTES:

- 1.Rated current (maximum): 30A.
- 2.Working temperature range: -40℃ TO +125℃.
- 3.UL Flame resistance rating:UL-94 HB
- 4.Electrical characteristics:
Rated voltage configuration (V):12 | 24

 宁波翔洋电气有限公司 NINGBO XF ELECTRONIC CO.,LTD					Name	Connector
					DrawingNo	XF7085A-2.8-21Gr
					Material	PBT
					Color	Gray
Design	Yang	2026.1	Revision	01	Weight Kg	
Proofread	Yang	2026.1			Pages	
Approval	Zhang	2026.1	Scale	1.5:1		

1 2 3 4 5 6 7 8