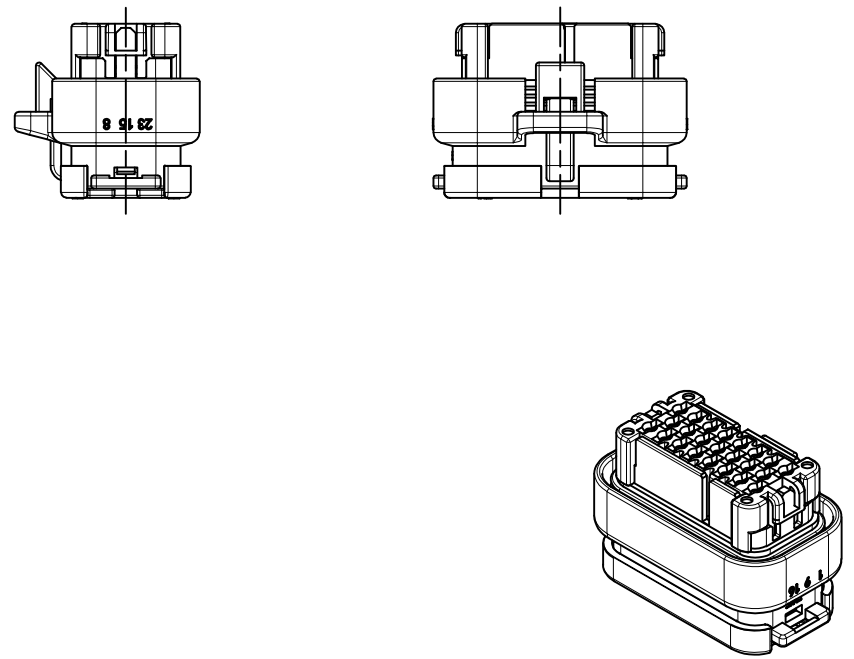




Height of the lock plate
in the open position



NOTES:

1. Rated current (maximum): 17A.
2. Working temperature range: -40℃ TO +125℃.
3. Moisture resistance: IP67, IP6K9K.
4. UL Flame resistance rating: UL-94 V0

 宁波翔洋电气有限公司 NINGBO XF ELECTRONIC CO., LTD					Name		Connector	
					DrawingNo		XF70231-1.3-21Wt	
		Material		PBT+GF30				
Design	Lai	2025.3	Revision	01	Color	White		
Proofread	Yang	2025.3			Weight Kg			
Approval	Zhang	2025.3	Scale	1:1		Pages		