

1 2 3 4 5 6 7 8

A

B

C

D

E

F

A

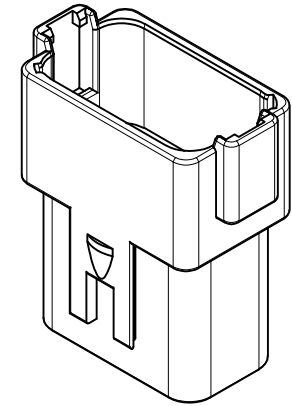
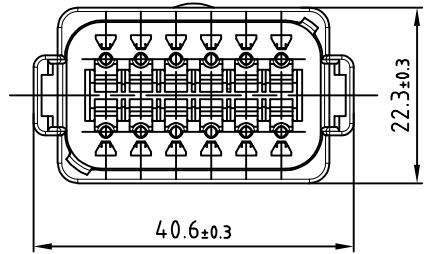
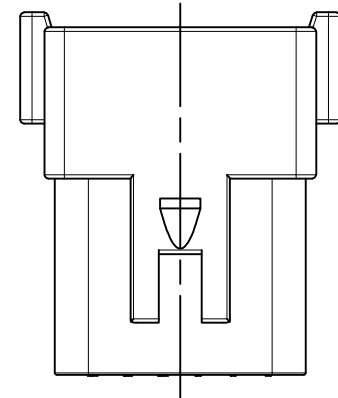
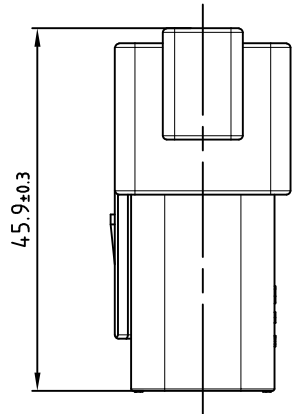
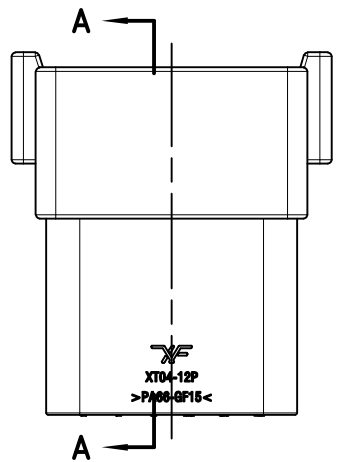
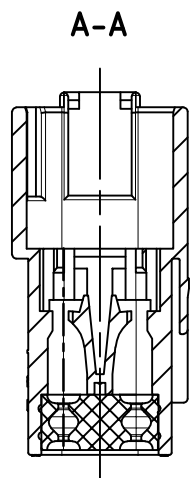
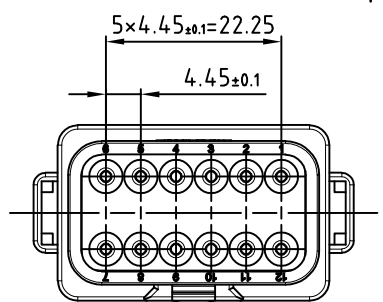
B

C

D



E

F



NOTES:

1. Rated current (maximum): 13A.
2. Working temperature range: -40°C TO +125°C.
3. Moisture resistance: IP68, IP6K9K.
4. UL Flame resistance rating: UL-94 V0
5. Electrical characteristics:
 Working voltage (VDC): 250
 Working voltage (VAC): 250
 Rated voltage configuration (V): 12 | 24 | 48

 宁波翔沅电气有限公司 NINGBO XF ELECTRONIC CO., LTD					Name		Connector	
					DrawingNo		XT04-12PC-C015	
		Material		PA66+GF15				
Design	Zhang	2025.7	Revision	01	Color	Green		
Proofread	Yang	2025.7			Weight Kg			
Approval	Zhang	2025.7	Scale	1.5:1		Pages		

1 2 3 4 5 6 7 8