

1 2 3 4 5 6 7 8

A

B

C

D

E

F

A

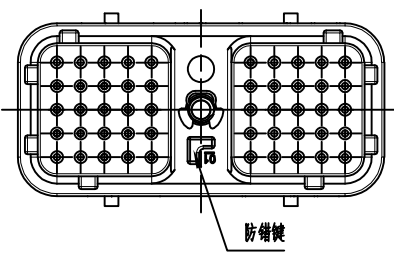
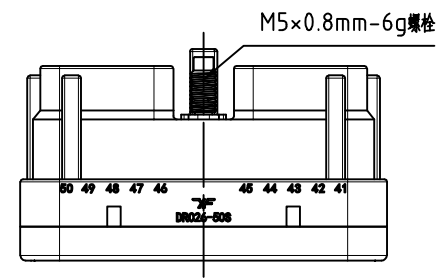
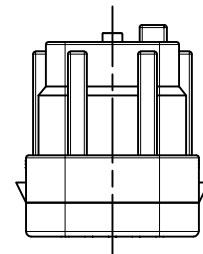
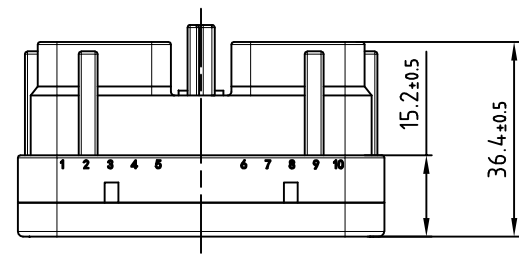
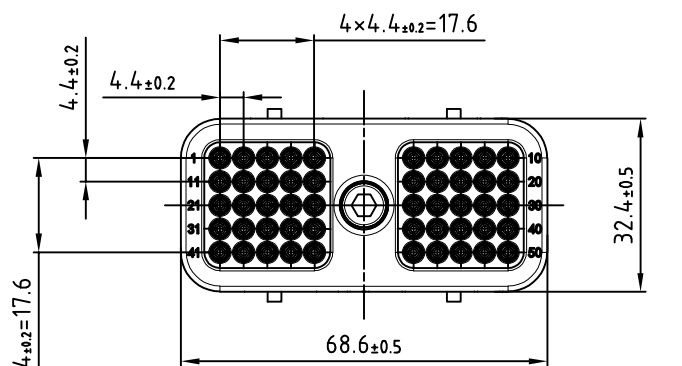
B

C

D

E

F



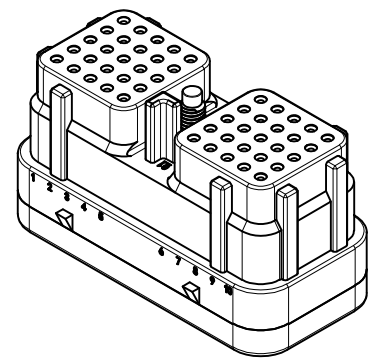
XRC26-50S01 XRC26-50S02 XRC26-50S03 XRC26-50S04 XRC26-50S05



XRC26-50S06 XRC26-50S07 XRC26-50S08 XRC26-50S09 XRC26-50S10



防错键方向



NOTES:

- 1.Rated current (maximum): 7.5A.
- 2.Working temperature range: -40℃ TO +125℃.
- 3.Moisture resistance:IP68,IP6K9K.
- 4.UL Flame resistance rating:UL-94 V0
- 5.Electrical characteristics:
Working voltage (VDC):250
Working voltage (VAC):250
Rated voltage configuration (V):12 | 24 | 48

| | | | | | | | | |
|---|-------|----------|----------|-----------|-----------|-------|-------------|--|
| 宁波翔洋电气有限公司 NINGBO XF ELECTRONIC CO., LTD | | | | | Name | | Connector | |
| | | | | | DrawingNo | | XRC26-50SXX | |
| | | Material | | PA66+GF15 | | | | |
| Design | Lai | 2026.4 | Revision | 01 | Color | Black | | |
| Proofread | Yang | 2026.4 | | | Weight Kg | | | |
| Approval | Zhang | 2026.4 | Scale | 1:1 | Pages | | | |

1 2 3 4 5 6 7 8