

1 2 3 4 5 6 7 8

A

B

C

D

E

F

A

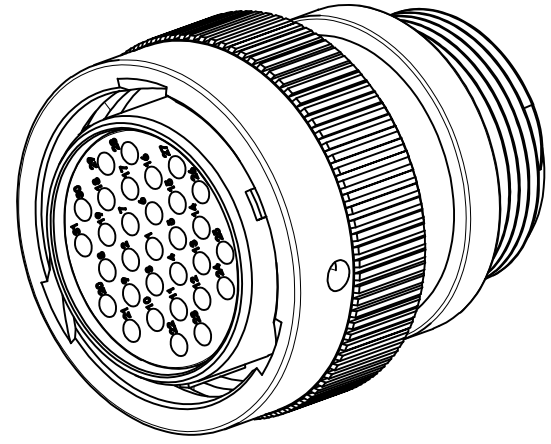
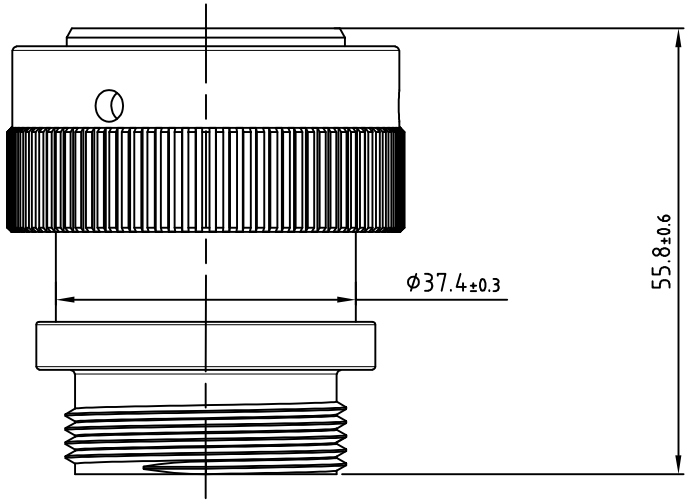
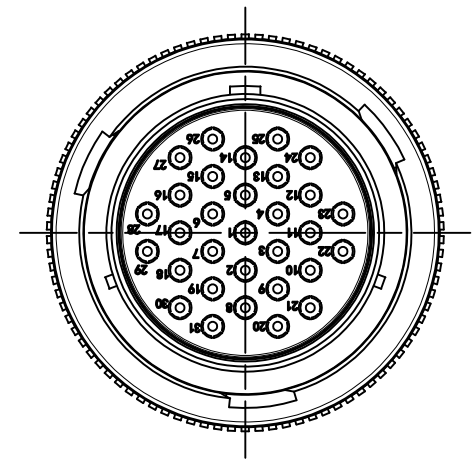
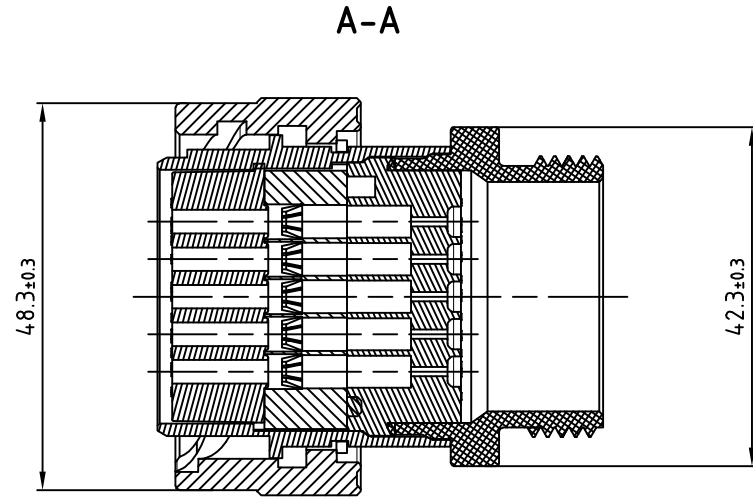
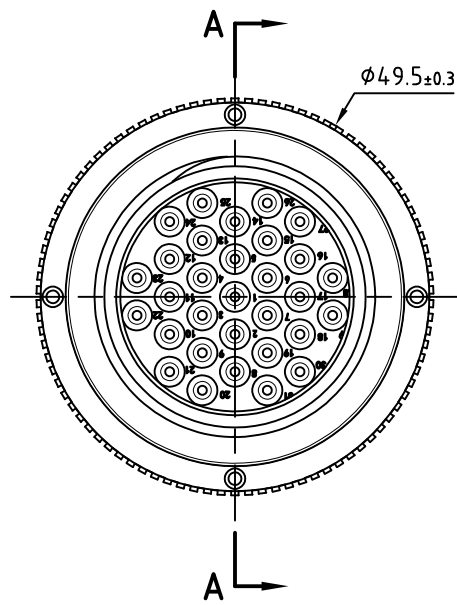
B

C

D



E

F



NOTES:

1. Working temperature range: -40°C TO $+125^{\circ}\text{C}$.
2. Moisture resistance: IP67.
3. UL Flame resistance rating: UL-94 V2

 宁波翔洋电气有限公司 NINGBO XF ELECTRONIC CO., LTD					Name		Connector	
					DrawingNo		HXP26-24-31SE-L015	
					Material		PA66+GF	
Design		Lai	2025.5	Revision	01	Color		Black
Proofread		Yang	2025.5			Weight Kg		
Approval		Zhang	2025.5	Scale	1.5:1	 Pages		

1 2 3 4 5 6 7 8