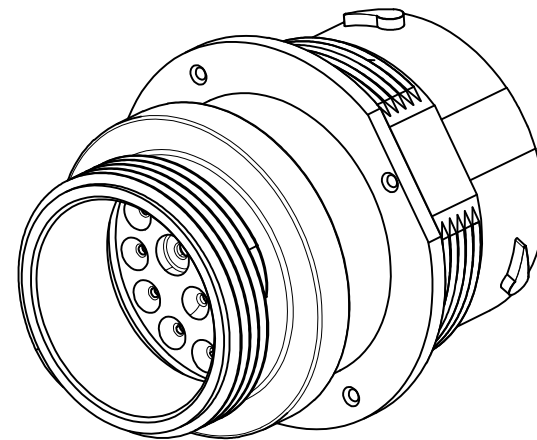
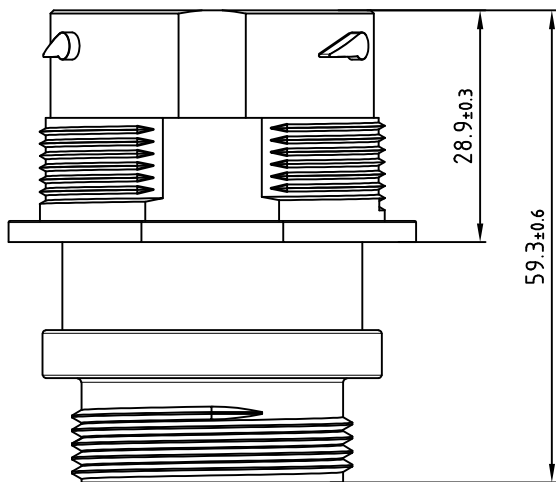
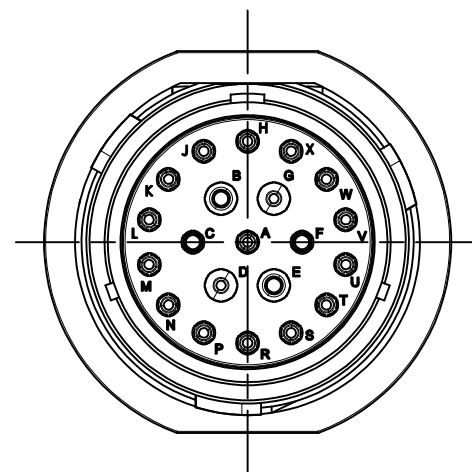
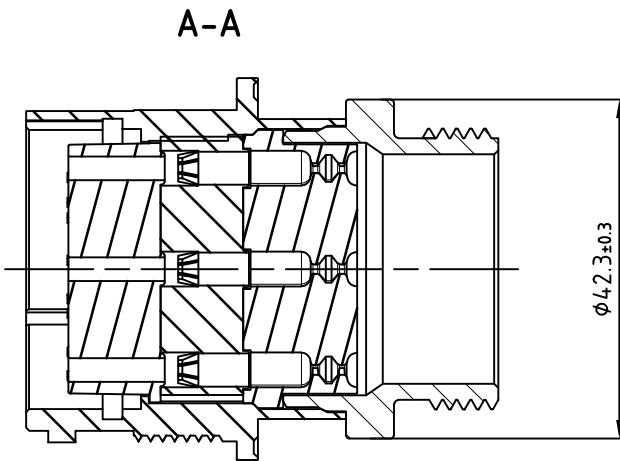
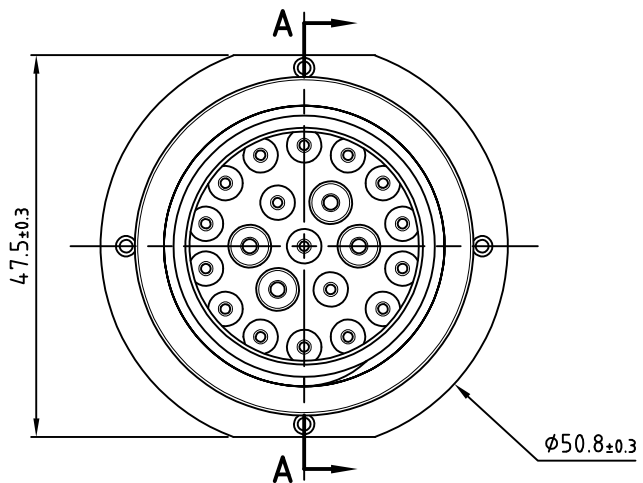


1 2 3 4 5 6 7 8



A
B
C
D
E
F

A
B
C
D
E
F



NOTES:

- 1. Working temperature range: -40℃ TO +125℃.
- 2. Moisture resistance: IP67.
- 3. UL Flame resistance rating: UL-94 V2

 宁波翔洋电气有限公司 NINGBO XF ELECTRONIC CO., LTD					Name		Connector	
					DrawingNo		HXP24-24-21SE-L015	
		Material		PA66+GF				
Design	Lai	2025.5	Revision	01	Color	Black		
Proofread	Yang	2025.5			Weight Kg			
Approval	Zhang	2025.5	Scale	1.5:1		Pages		

1 2 3 4 5 6 7 8