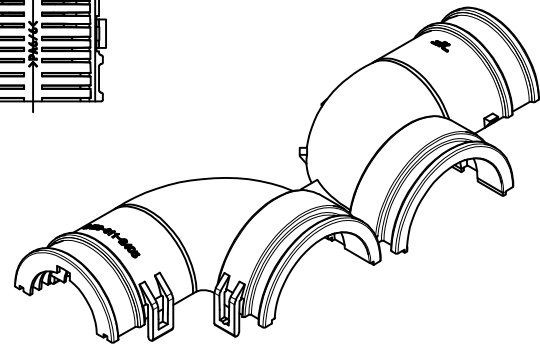
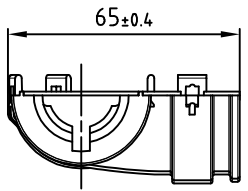
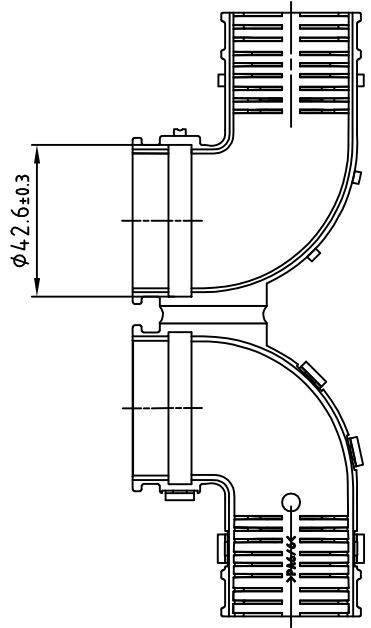
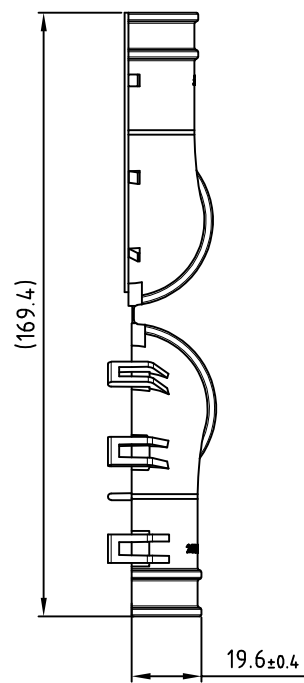
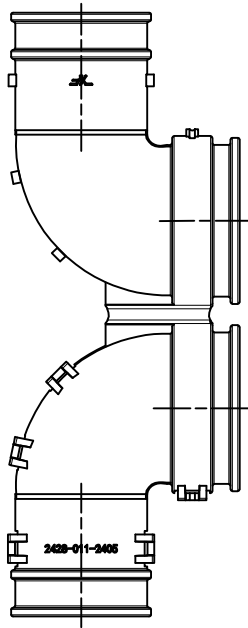
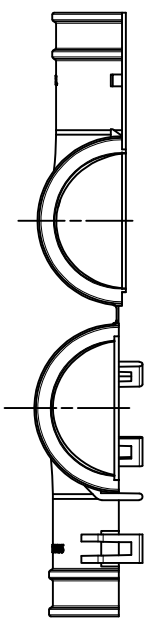
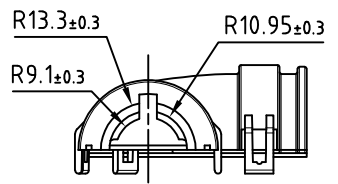




A  
B  
C  
D  
E  
F



**NOTES:**  
 1.Working temperature range: -40℃ TO +125℃.  
 2.UL Flame resistance rating:UL-94 HB

 <b>宁波翔洋电气有限公司</b> NINGBO XF ELECTRONIC CO.,LTD					Name		Backshell	
					DrawingNo		XF2428-011-2405	
Design		Lai	2026.4	Revision	01	Material		PA66
Proofread		Yang	2026.4			Color		Black
Approval		Zhang	2026.4	Scale	1:1.5	Weight Kg		
						 Pages		

1 2 3 4 5 6 7 8