

1 2 3 4 5 6 7 8

A A

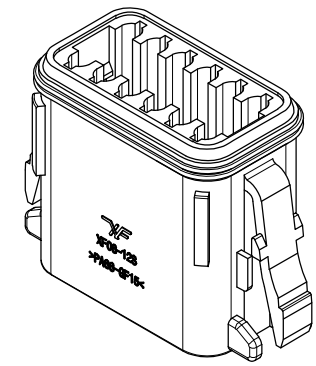
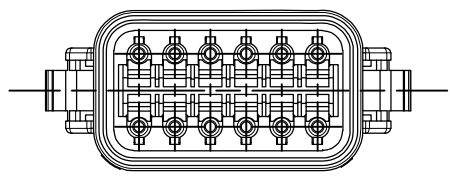
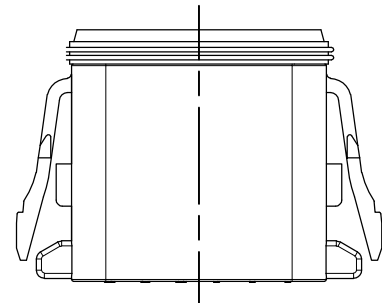
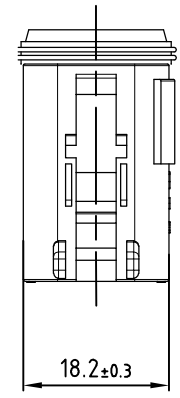
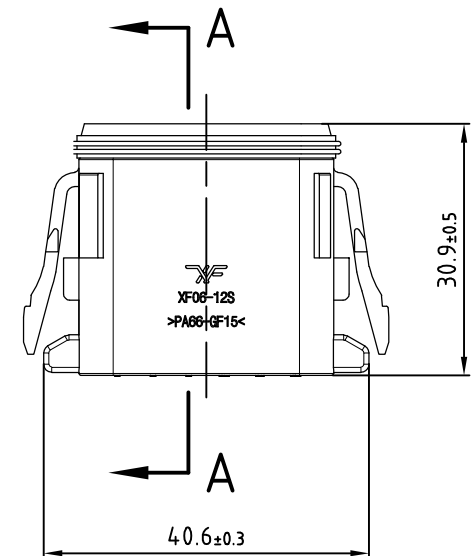
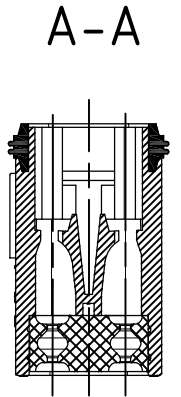
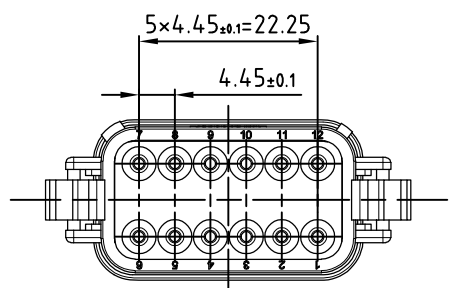
B B

C C

D D



E E

F F



NOTES:

- 1.CURRENT RATING: 13A MAXIMUM.
- 2.OPERATING TEMPERATURE: -40℃ TO +125℃.
- 3.MOISTURE RESISTANCE:IP68,IP6K9K.
- 4.UL Flame Resistance Rating:UL-94 V0
- 5.Electrical characteristics:
Working voltage (VDC):250
Working voltage (VAC):250
Rated voltage configuration V):12 | 24 | 48

 宁波翔洋电气有限公司 NINGBO XF ELECTRONIC CO., LTD					Name		Connector	
					DrawingNo		XT06-12SA	
		Material		PA66+GF15				
Design	Zhang	2026.5	Revision	02	Color	Grey		
Proofread	Yang	2026.5			Weight Kg			
Approval	Zhang	2026.5	Scale	1.5:1		Pages		

1 2 3 4 5 6 7 8