

1 2 3 4 5 6 7 8

A

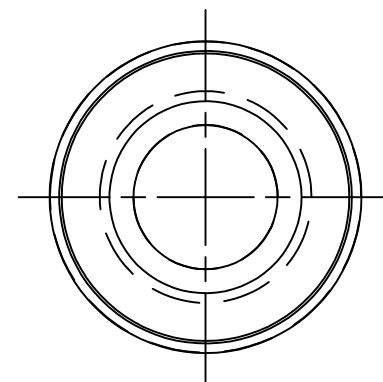
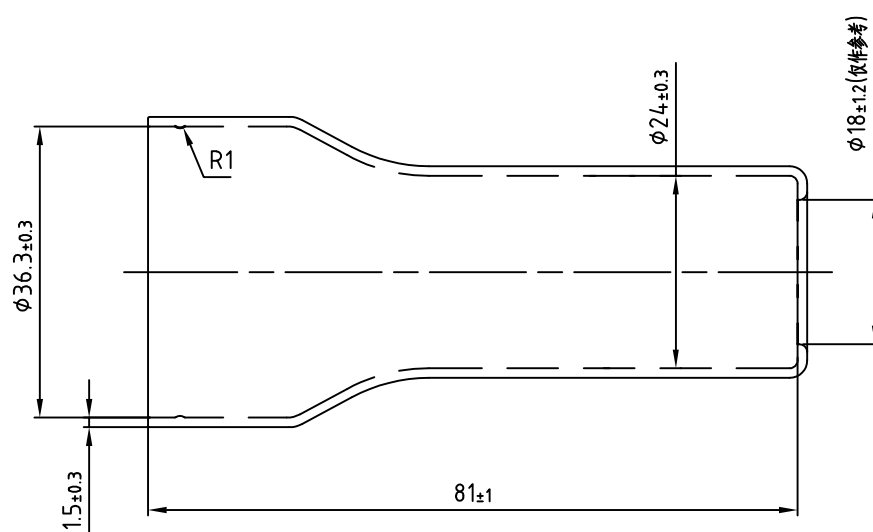
B

C

D



E

F



NOTES:

1. Products comply with RoHS directive and REACH regulations
2. Allow for material drops, no holes allowed
3. Fully plasticized, cannot be by hand, no damage to the surface, no burning, no impurities
4. Tensile strength ≥ 2.5 MPa, elongation at break $\geq 120\%$, hardness Shore 65 ± 5 HA

 宁波翔洋电气有限公司 NINGBO XF ELECTRONIC CO., LTD					Name		Protective sheath	
					DrawingNo		TUT36.3-24-81 (HD30-24BT-GR)	
					Material		PVC	
Design		Lai	2025.12	Revision	01	Color		Gray
Proofread		Yang	2025.12			Weight Kg		
Approval		Zhang	2025.12	Scale	1:1	 Pages		

1 2 3 4 5 6 7 8