

1 2 3 4 5 6 7 8

A

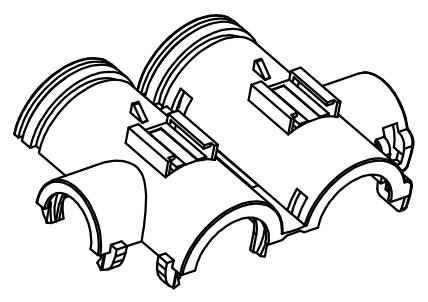
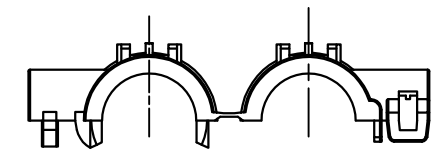
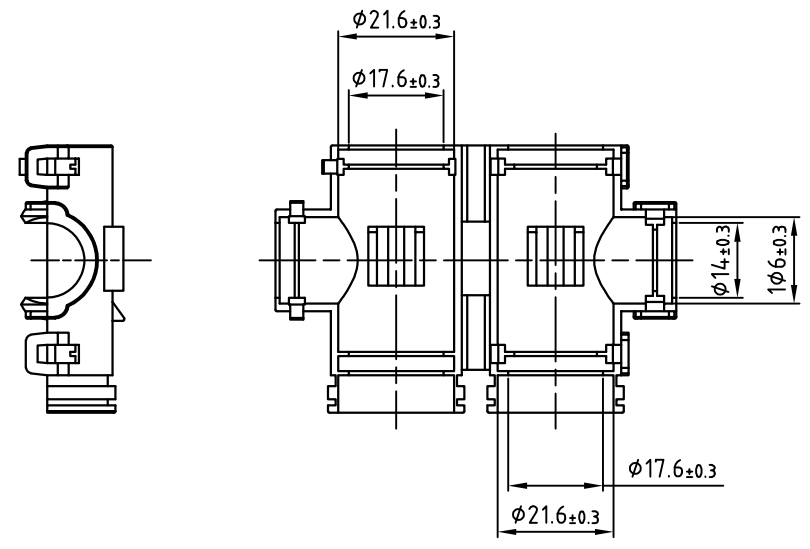
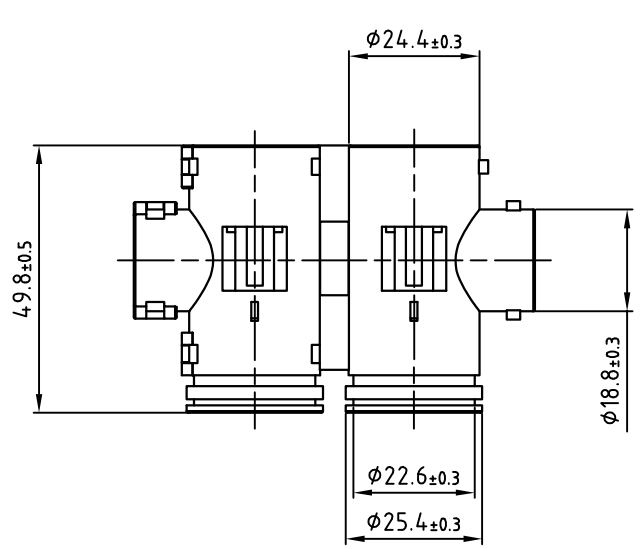
B

C



D

E

F



NOTES:
 1. Working temperature range: -40℃ TO +125℃.
 2. UL Flame resistance rating: UL-94 HB

 宁波翔洋电气有限公司 NINGBO XF ELECTRONIC CO., LTD					Name		Manifolds	
					DrawingNo		XF9806141	
Material		PA66		Color		Black		
Design	Lai	2026.5	Revision	01	Weight Kg			
Proofread	Yang	2026.5			Pages			
Approval	Zhang	2026.5	Scale	1:1	 Pages			

1 2 3 4 5 6 7 8